

# PLCs & HMI



- Flexible I/O PLC
- Economical PLC
- Mini PLC
- Fixed I/O Configuration PLC
- 7" HMI / 3.5" HMI

Applicable EMI / EMC standards		
Product standard : IEC61131-2		
Category	Standards Compliance	
ESD Immunity	IEC 61000-6-2	Level III
Surge Immunity	IEC 61000-6-2	+/- 2 kV common mode, +/- 1 kV differential mode
Radiated Susceptibility	IEC 61000-6-2	Level III, 80 to 1000MHz Level II, 1GHz to 2GHz Level I, 2GHz to 2.7GHz
Conducted Susceptibility	IEC 61000-6-2	Level II
Voltage Dips and Interruptions	IEC 61000-6-2	0%, 0.5 Periods (Criteria A) 0%, 250/300 Periods (Criteria C) 40%, 10/12 Periods (Criteria C) 70%, 25/30 Periods (Criteria C) 80%, 250/300 Periods (Criteria C)
Conducted Emission	CISPR 16-2-1 CISPR 16-1-2	Criteria B
Radiated Emission	CISPR 16-2-3	Criteria A
Electrical Fast Transient	IEC61000-6-2	Level III

Note : Above standards are applicable only for CE certified PLCs & HMI

## Flexible PLC with I/O Cards



**FLEXYS GT35**  
Size : 99 x 95.6 x 90.5mm



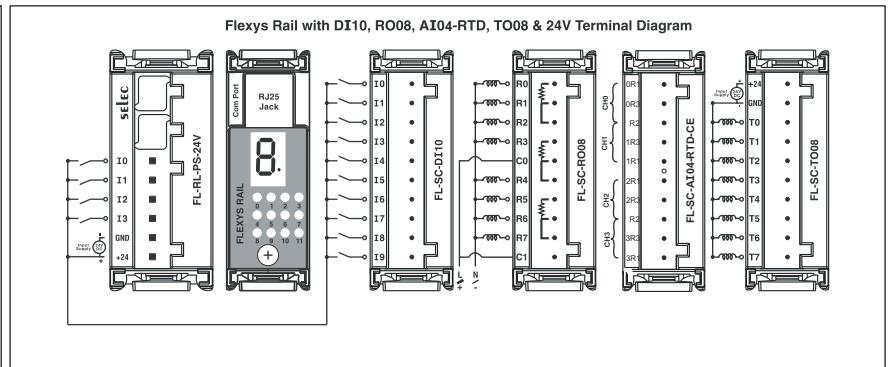
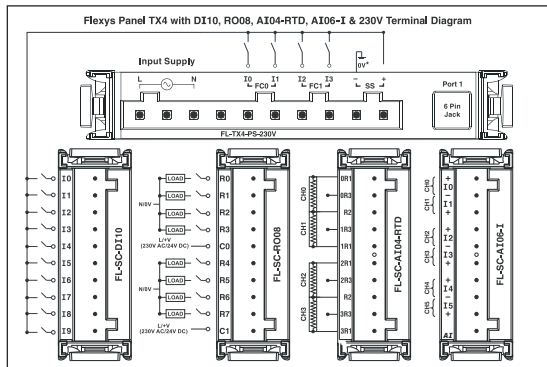
**FLEXYS PANEL TX4**  
Size : 99 x 95.6 x 90.5mm



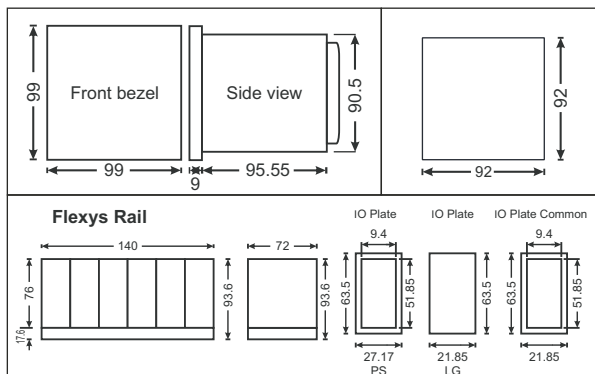
**FLEXYS RAIL**  
Size : 140 x 93.4 x 72mm

FEATURES	<ul style="list-style-type: none"> <li>3.5" LCD with Touch Screen</li> <li>Flexible I/O Card selection</li> <li>Real Time Clock</li> <li>Expandable</li> </ul>	<ul style="list-style-type: none"> <li>PLC with built in HMI</li> <li>Flexible I/O Card selection</li> <li>Expandable</li> <li>Real Time Clock</li> </ul>	<ul style="list-style-type: none"> <li>PLC with Flexible I/O Card Selection</li> <li>Expandable</li> <li>Real Time Clock</li> </ul>
DISPLAY	TFT 3.5" diagonal Touch screen, Resolution 320 x 240	LCD with Backlight, 4 x16 Character display, Font size 5 x 7mm	7 segment display for slot number & card status. Multipurpose LED Bank
NO. OF KEYS	5 function keys + 1 System Key	18 keys (14 user configurable)	One key to scroll through different slots
I/Os	3 I/O slots (Please refer I/O card for Flexys series)	4 I/O slots (Please refer I/O card for Flexys series)	
DIGITAL INPUTS	4 /10 /14 per card, PNP (6 - 30V DC)		
MAXIMUM COUNTING FREQUENCY	FC0 (I0 & I1) & FC1 (I2 & I3) - 5KHz (on power supply card only), Normal Digital Inputs - 30Hz		
ANALOG INPUTS	3/4/6 Channels per card (TC, RTD, 0-10V, 0-20mA)		
RESOLUTION	12 Bit		
RELAY OUTPUTS	4/8 per card, NO type 5A @ 230V AC / 30V DC (Resistive)		
TRANSISTOR OUTPUTS	8 per card, Source type 100mA @ 24V DC		
ANALOG OUTPUTS	2/4 Channels per card (0 - 10V, 0 - 20mA)		
RESOLUTION	14 Bit (0.0 - 100.0% = 0 - 10.000V, 0.0 - 100.0% = 0 - 20.000mA)		
PROGRAM MEMORY	221K	351K	
EXPANSION	Yes		
COMMUNICATION INTERFACE	RS485 MODBUS RTU Protocol	RS485 MODBUS RTU, Proprietary Protocol	
RTC	Yes		
SUPPLY VOLTAGE	230V AC, 50/60Hz	24V DC, 230V AC 50/60Hz	

## Terminal Diagram



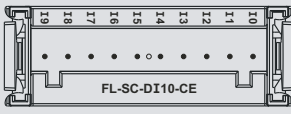
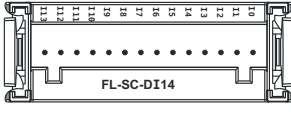
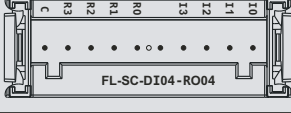
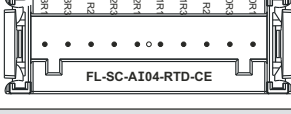
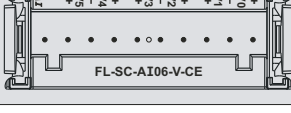
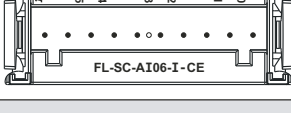

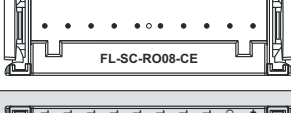
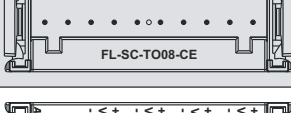
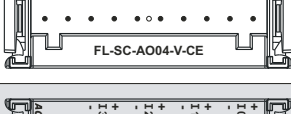

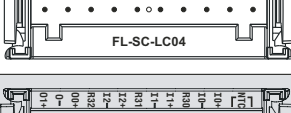
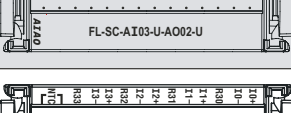
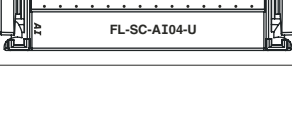
## Dimensions (All are in mm)



## Ordering Information

PRODUCT CODE	CERTIFICATION
FL-GT35-DI04-PS-230V	---
FL-GT35-DSP	---
FL-GT35-LG-1-0-1	---
FL-TX4-DI04-PS-230V-CE	CE RoHS
FL-TX4-DI04-PS-24V-CE	CE RoHS
FL-TX4-LG-1-1-1-CE	CE RoHS
FL-RL-DI04-PS-24V-CE	CE RoHS
FL-RL-BS-6-CE	CE RoHS
FL-RL-LG-1-1-1-CE	CE RoHS
FL-RL-PS-230V	---

Flexible PLC with I / O Cards

ORDER CODE	DESCRIPTION	TERMINAL CONNECTION	CERTIFICATION
FL-SC-DI10-CE	10DI (10 Digital Inputs)		CE RoHS
FL-SC-DI14	14DI (14 Digital Inputs)		CE RoHS in process
FL-SC-DI04-RO04	4 Digital Inputs & 4 Relay Outputs		CE RoHS in process
FL-SC-AI04-RTD	4 Channel RTD – PT100 Analog inputs		CE RoHS
FL-SC-AI06-V-CE	6 Analog Inputs (0-10V)		CE RoHS
FL-SC-AI06-I-CE	6 Analog Inputs (0-20mA)		CE RoHS
FL-SC-AIDF04-TC-CE	4 Channel Thermocouple Analog Inputs Differential type		CE RoHS
FL-SC-RO08-CE	8 Relay Outputs		CE RoHS
FL-SC-TO08-CE	8 Transistor Outputs		CE RoHS
FL-SC-AO04-V-CE	4 Analog Outputs (0-10V)		CE RoHS
FL-SC-AO04-I-CE	4 Analog Outputs (0-20mA)		CE RoHS
FL-SC-LC04	4 Channel Load Cell Card		CE RoHS in process
FL-SC-AI03-U-AO02-U	3 Universal Analog Inputs, 2 Universal Analog Outputs		CE RoHS in process
FL-SC-AI04-U	4 Universal Analog Inputs		CE RoHS in process

Digix & Twix



**DIGIX-1**  
Size : 70 x 90mm

**DIGIX-1-1-1-230V**  
Size : 70 x 90mm



**DIGIX-2-1-0-24V**  
Size : 70 x 90mm



**DIGIX-4-1-1-24V**  
Size : 70 x 90mm



**TWIX-1**  
Size : 48 x 96mm

**TWIX-2**  
Size : 48 x 96mm

**TWIX-3**  
Size : 48 x 96mm

FEATURES	<ul style="list-style-type: none"> <li>Compact PLC with built in HMI</li> <li>2 Line 8 Character LCD</li> <li>Real Time Clock</li> <li>RS485 Communication MODBUS RTU Protocol</li> </ul>				<ul style="list-style-type: none"> <li>Compact PLC with built in HMI</li> <li>Configurable LED display</li> <li>RS485 Communication MODBUS RTU Protocol</li> </ul>		
	DISPLAY	2 X 8 Character LCD				4 + 4 digits Red & 6 Green digits 7 Segment LED	
NO. OF KEYS	5 keys (4 - User configurable)						
DIGITAL INPUTS	8	10 + 2*	10	6	6 + 2*	8	
INPUT TYPE	PNP (6 - 30V DC)						
MAXIMUM COUNTING FREQUENCY	FC0 (I0 & I1) - 5KHz, Normal Digital Input: 30Hz						
ANALOG INPUTS	NA	Through Expansion	2 Channels (0-10V)	Through Expansion	1 Channel (TC / RTD)	6 Channels 2 (TC / RTD), 2 (0-10V), 2(0-20mA)	1 Channel (TC / RTD)
	RESOLUTION	12 Bit					
DIGITAL OUTPUTS	5 Relay		8 Relay	6 Transistor	4 Relay	5 Relay	5 Transistor
TYPE & RATING	5A NO type @230V AC / 30V DC (Resistive)			Source 100mA @24V DC	5A NO type @230V AC / 30V DC (Resistive)		Source 100mA @24V DC
ANALOG OUTPUTS	NA	Through Expansion			NA	1 Channel (0-10V / 0-20mA)	NA
RESOLUTION	As per expansion model						12 Bit
RTC	NO	YES	NO	YES	NO		
EXPANSION	NO		YES		NO		
PROGRAM MEMORY	112K		240K		112K	240K	112K
COMMUNICATION INTERFACE	RS485 Modbus RTU Protocol						
SUPPLY VOLTAGE	18 - 30V DC**, 100 - 270V AC / DC 50/60Hz.	100 - 270V AC / DC 50/60Hz.	18 - 30V DC		18 - 30VDC**, 100 - 270V AC / DC 50/60Hz.	100 - 270V AC / DC 50/60Hz.	18 - 30V DC

\*Voltage Analog Inputs can be configured as Digital Inputs \*\*Please refer Datasheet for exact Order code

Terminal Diagram

Dimensions (All are in mm)

**TWIX-2**

**TWIX-1**

**TWIX-3**

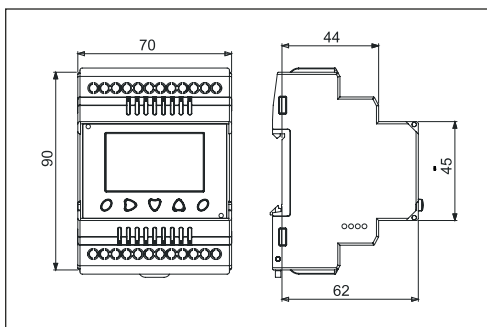
**DIGIX-1 & DIGIX-1-1-1-230V**

**DIGIX-2-1-0-24V**

**DIGIX-4-1-1-24V**

Dimensions (All are in mm)

Ordering Information



PRODUCT CODE	CERTIFICATION
DIGIX-1-230V	--
DIGIX-1-0-0-24V	--
DIGIX-1-1-1-230V	--
DIGIX-2-1-0-24V	--
DIGIX-4-1-1-24V	--
TWIX-1-230V	--
TWIX-2-230V	--
TWIX-3-24V	--

**MM101X**



**MM1010-T/R**  
Size : 48 x 96mm



**MM1010-I**  
Size : 48 x 96mm

**MM1010-V**  
Size : 48 x 96mm

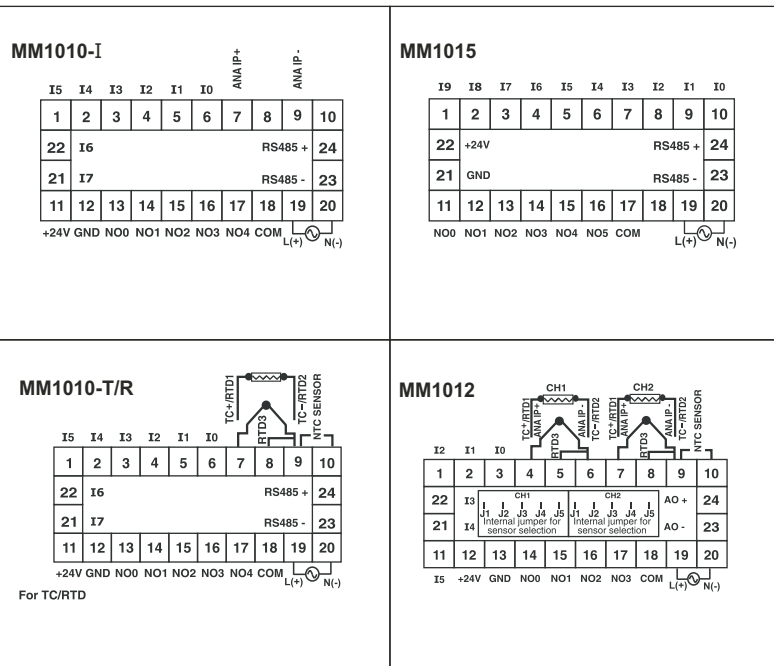


**MM1012**  
Size : 48 x 96mm

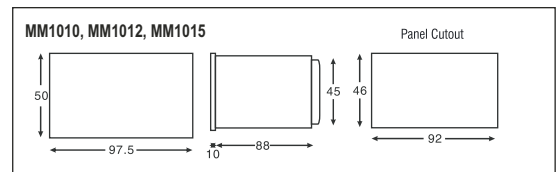
**MM1015**  
Size : 48 x 96mm

<b>FEATURES</b>	<ul style="list-style-type: none"> <li>• Compact PLC with built-in HMI</li> <li>• RS485 Communication MODBUS RTU Protocol</li> <li>• Analog Input</li> </ul>	<ul style="list-style-type: none"> <li>• Compact PLC with built-in HMI</li> <li>• RS485 Communication MODBUS RTU Protocol</li> <li>• Analog Input &amp; Output</li> </ul>	<ul style="list-style-type: none"> <li>• Compact PLC with built-in HMI</li> <li>• RS485 Communication MODBUS RTU Protocol</li> </ul>		
<b>DISPLAY</b>	3 + 4 digits Red & 4 digits Green 7 Segment LED				
<b>NO. OF KEYS</b>	5 Keys (4 User Configurable)				
<b>DIGITAL INPUTS</b>	8 PNP (11 – 30V DC)	6 PNP (11 – 30V DC)	10 PNP (11 – 30V DC)		
<b>MAXIMUM COUNTING FREQUENCY</b>	Normal Digital Input: 30Hz				
<b>ANALOG INPUTS</b>	1 Channel (TC / RTD)	1 Channel (0 - 10V)	1 Channel (0 - 20mA)	2 Channel (TC / RTD / 0 - 10V / 0 - 20mA) selectable via jumper	NA
<b>RESOLUTION</b>	14 Bit				
<b>DIGITAL OUTPUTS</b>	5	4	6		
<b>TYPE AND RATING</b>	5A NO type @230V AC/30V DC (Resistive)				
<b>ANALOG OUTPUT</b>	NA		1 Channel (0 - 10V / 0 - 20mA)	NA	
<b>RESOLUTION</b>			14 Bit (0.0% - 100.0% = 0 – 10.000V, 0.0% - 100.0% = 0 – 20.000mA)		
<b>RTC</b>	NO				
<b>EXPANSION</b>	NO				
<b>PROGRAM MEMORY</b>	224KB				
<b>COMMUNICATION INTERFACE</b>	RS485 MODBUS RTU Protocol				
<b>SUPPLY VOLTAGE</b>	18 - 30V DC, 100 – 270V AC 50/60Hz without retention. 180 - 270V AC 50/60Hz with Retention			100 – 270V AC 50/60Hz without retention 180 - 270V AC, 50/60Hz with Retention	

**Terminal Diagram**



**Dimensions (All are in mm)**



**Ordering Information**

PRODUCT CODE	CERTIFICATION
MM1010-T/R-230V	--
MM1010-T/R-24V	--
MM1010-I-230V	--
MM1010-I-24V	--
MM1010-V-230V	--
MM1010-V-24V	--
MM1012-1-230V	--
MM1012-1-24V	--
MM1012-2-230V	--
MM1012-2-24V	--
MM1015-230V	--

**MM303X**



**MM3030-1**  
Size : 96 X 96 mm

**MM3030-2**  
Size : 96 X 96 mm

**MM3030-4**  
Size : 96 X 96 mm

**MM3030-3**  
Size : 96 X 96 mm

**MM3032-2-0-0-24V**  
Size : 96 X 96 mm

**MM3032-2-0-0-230V**  
Size : 96 X 96 mm

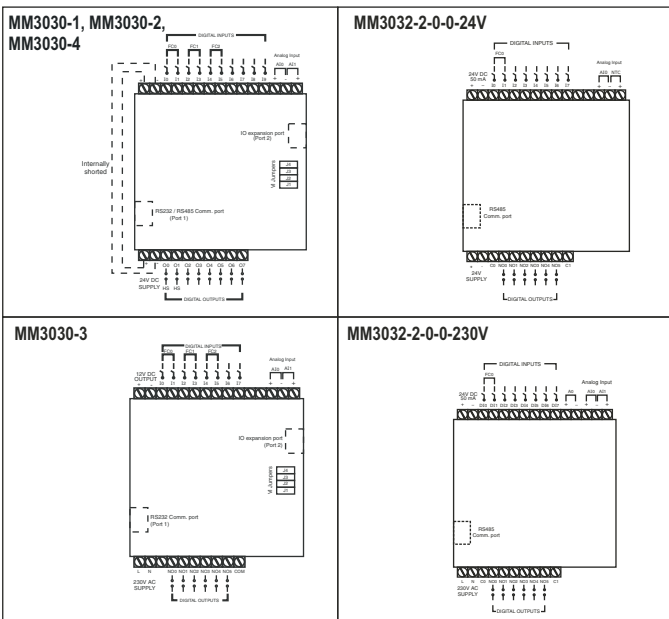
**FEATURES**

- Low Cost
- Panel / Din Rail Mounting
- Fast Inputs / Outputs
- Windows based User Friendly Software for Ladder Programming and HMI Configuration

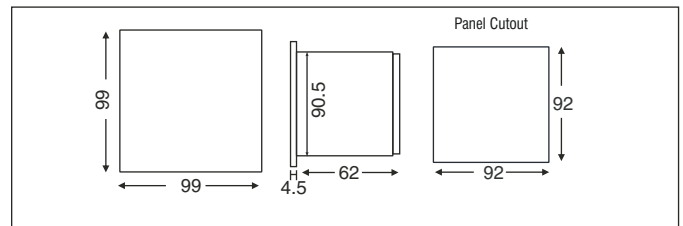
- Compact PLC with built-in HMI
- 2 line x 16 characters LCD Display
- Panel / Din Rail Mounting
- Windows based User Friendly Software for Ladder Programming and HMI Configuration

<b>DISPLAY</b>	4 x 16 Character LCD			2 x 16 Character LCD		
<b>NO. OF KEYS</b>	15 Keys (12 User Configurable)			8 Keys (6 User Configurable)		
<b>DIGITAL INPUTS</b>	10 PNP (11 - 30V DC)			8 PNP (6 - 30V DC)		
<b>MAXIMUM COUNTING FREQUENCY</b>	FC0 (I0 & I1) – 12 KHz, FC1 (I2 & I3) & FC2 (I4 & I5) – 7.5 KHz Normal Input – 30 Hz.			FC0 (I0 & I1), FC1 (I2 & I3) & FC2 (I4 & I5) – 7.5 KHz Normal Input – 30 Hz.		
<b>ANALOG INPUTS</b>	2 Channel (0 - 10V or 0 - 20mA) selectable via jumpers			2 Channels (NTC & 0-20mA)		2 Channels (0-20mA)
<b>RESOLUTION</b>	10 Bit			12 Bit		
<b>DIGITAL OUTPUTS</b>	8 Transistor			6 Relay		
<b>TYPE AND RATING</b>	O0 - O1 - Sink 50mA @24V DC (Fast Outputs 50KHz) O2 - O7 - Source 100mA @24V DC			3A NO type @230V AC / 30V DC (Resistive)		5A NO type @230V AC / 30V DC (Resistive)
<b>ANALOG OUTPUTS</b>	Through Expansion			NA		1 Channel (0 - 10V)
<b>RESOLUTION</b>	As per expansion modules					14 Bits (0.0% - 100.0% = 0 - 10.000V)
<b>RTC</b>	YES			NO		
<b>EXPANSION</b>	YES			NO		
<b>PROGRAM MEMORY</b>	351K			240K		
<b>COMMUNICATION INTERFACE SLAVE</b>	RS232 MODBUS RTU Protocol	RS485 MODBUS RTU Protocol		RS232 MODBUS RTU Protocol	RS485 MODBUS RTU Protocol	
<b>COMMUNICATION INTERFACE MASTER</b>	Proprietary Protocol	Proprietary Protocol & RS485 MODBUS RTU Protocol	RS485 MODBUS RTU Protocol	Proprietary Protocol	NA	
<b>SUPPLY VOLTAGE</b>	18 – 30V DC			100 – 270V AC 50/60Hz without retention 180 – 270V AC, 50/60Hz with Retention		18 – 30V DC 100 – 270V AC 50/60Hz without retention 180 – 270V AC, 50/60Hz with Retention

**Terminal Diagram**



**Dimensions (All are in mm)**



**Ordering Information**

PRODUCT CODE	CERTIFICATION
MM3030-1	--
MM3030-2	--
MM3030-3-P1	--
MM3030-4	--
MM3032-2-0-0-230V	--
MM3032-2-0-0-24V	--



**SP11-GT70**  
Size : 214 x160mm

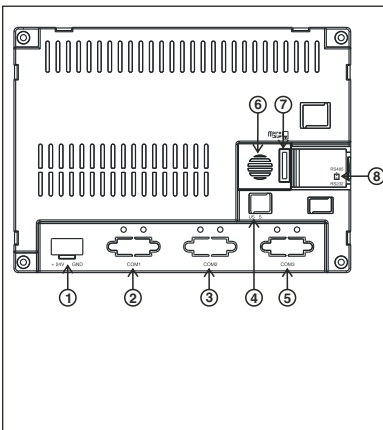


**SP3-GT35**  
Size : 96 x 96mm

FEATURES	<ul style="list-style-type: none"> <li>• 7" LCD with Resistive Touchscreen</li> <li>• 10 Password Levels</li> <li>• Serial Printing</li> <li>• Data Logging</li> <li>• Built in Buzzer</li> </ul>	<ul style="list-style-type: none"> <li>• 3.5" LCD with Resistive Touchscreen</li> <li>• 10 password levels</li> <li>• Recipe Management</li> <li>• Serial Printing</li> </ul>
DISPLAY	7" Diagonal	3.5" Diagonal
TOUCHSCREEN	Yes (Resistive)	
RESOLUTION	800 x 480 pixels	320 x 240 pixels
BACKLIGHT	LED Backlight	
USER MEMORY	16 MB	
DATA LOGGING	2 GB (External SD Card)	
COMMUNICATION PORT 1	Master Port - RS485 MODBUS RTU Protocol	Slave Port - RS232 MODBUS RTU Protocol
COMMUNICATION PORT 2	Slave Port – RS485 / RS232 selectable MODBUS RTU Protocol	Master Port - RS485 MODBUS RTU Protocol
COMMUNICATION PORT 3	Serial Printer ESC/P Protocol	
USB SLAVE	USB 2.0	NA
KEYS	7 Function keys + 1 System Key	5 Function keys + 1 System Key
RTC	Yes	
BACKUP BATTERY	3V CR2032	
PROTECTION GLASS	IP65 Front	
OPERATING TEMPERATURE	0° – 55° C	
STORAGE TEMPERATURE	-30° - 80° C	
SUPPLY VOLTAGE	18 – 30V DC	

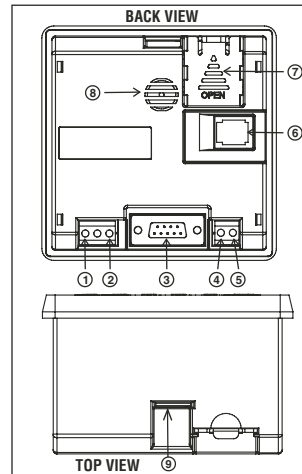
**Terminal Diagram**

SP11-GT70



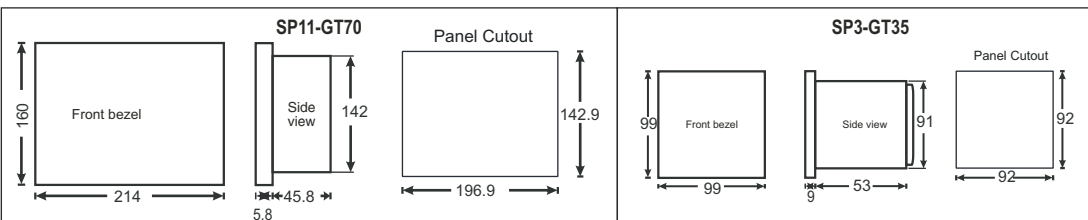
Sr. No.	Description
①	Supply terminal
②	COM1
③	COM2
④	USB slave port
⑤	COM3
⑥	Buzzer
⑦	Micro SD Card Slot
⑧	Jumper for RS232/RS485 slave

SP3-GT35



Sr. No.	Description
①	+24V
②	GND
③	Slave Port
④	(-) RS485 Master Port
⑤	(+) RS485 Master Port
⑥	Printer Port
⑦	Battery Cover
⑧	Buzzer
⑨	SD Card Slot

**Dimensions (All are in mm)**



**Ordering Information**

PRODUCT CODE	CERTIFICATION
SP11-GT70-V2	--
SP3-GT35	--

IO Expansion



EXP-FLEX2M  
Size : 35 x 90mm



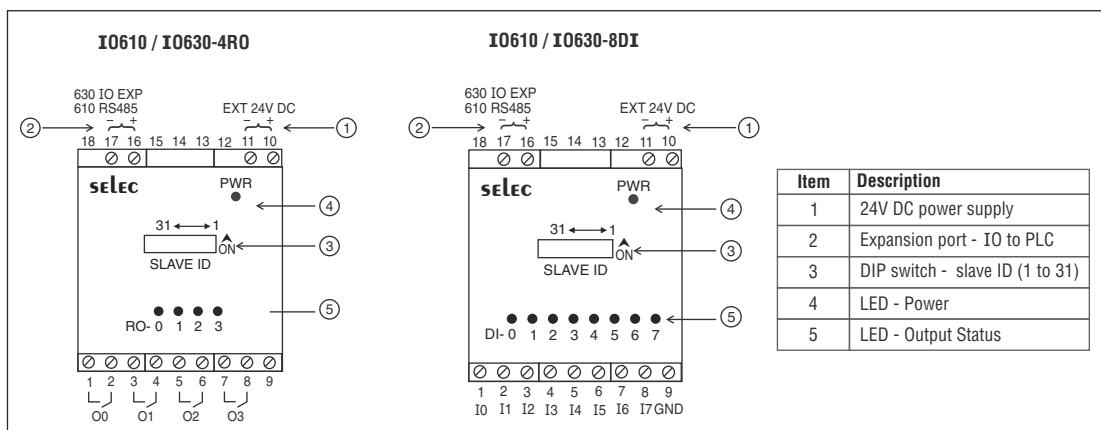
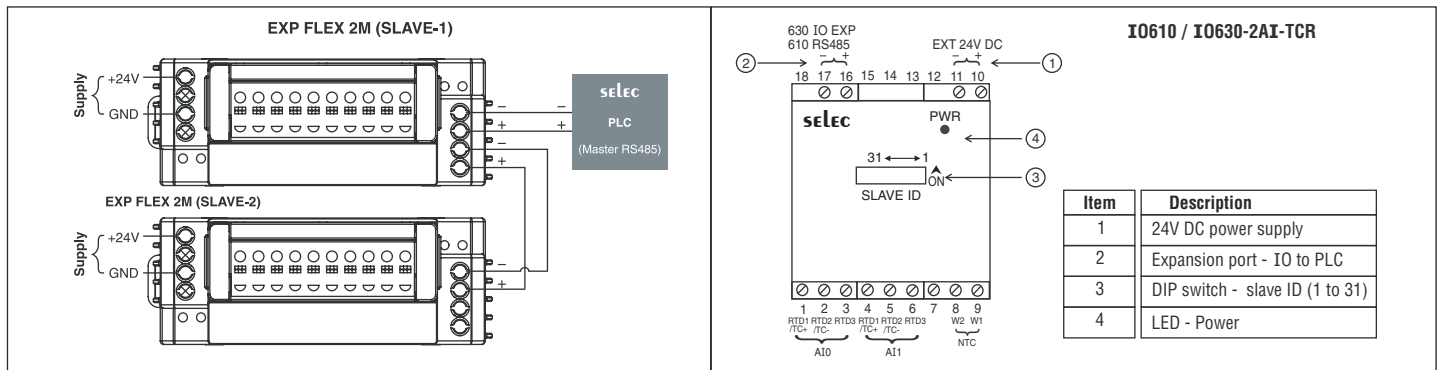
IO610  
Size : 53 x 90mm



IO630  
Size : 53 x 90mm

FEATURES	<ul style="list-style-type: none"> <li>Any Flexys card can be Configured</li> <li>Selectable baudrate and Slave ID</li> </ul>	<ul style="list-style-type: none"> <li>Can be used as independent I/O modules through RS485 Modbus RTU</li> </ul>	<ul style="list-style-type: none"> <li>High Speed Communication between PLC and Expansion through Proprietary Protocol</li> </ul>
DISPLAY	LED indication for Power ON and Communication Status	LED indication for Power On and Digital I/O status	
DIGITAL INPUTS	4/10/14 per card PNP (6-30V DC)	8 per module (11-30V DC)	
ANALOG INPUTS	3/4/6 Channels per card (TC, RTD, 0-10V, 0-20mA)	2 Channels per module (TC, RTD, 0-10V, 0-20mA)	
RESOLUTION	12 Bit		
RELAY OUTPUTS	4/8 per card. NO type 5A @ 230VA C / 30V DC (Resistive)	4 per module, NO type 5A @ 230V AC / 30V DC (Resistive)	
TRANSISTOR OUTPUTS	8 per card. Source type 100mA @ 24V DC	4 per module, Source type 100mA @ 24V DC	
ANALOG OUTPUTS	2/4 Channels per card (0-10V, 0-20mA)	2 Channels per module (0-10V, 0-20mA)	
RESOLUTION	14 Bit (0.0 – 100.0% = 0 – 10.000V, 0.0 – 100.0% = 0 – 20.000mA)	12 Bit (0.0-100.00% = 0 - 10.00V, 0.0-200.00% = 0 -20.00mA)	
RESPONSE TIME	100 mSec – 2 Sec + IO card Response	35 mSec	200 µSec
BAUDRATE	19200/115200 bps (Selectable)	19200 bps	500 Kbps
COMMUNICATION INTERFACE	RS485 Proprietary Protocol	RS485 MODBUS RTU Protocol	Proprietary Protocol
SUPPLY VOLTAGE	24V DC		

Terminal Diagram



Ordering Information

PRODUCT CODE	CERTIFICATION
EXP-FLEX 2M	--
IO610-8DI	--
IO610-4RO	--
IO610-4TO	--
IO610-2AI-TCR	--
IO610-2AI-VI	--
IO610-2AO	--
IO630-8DI	--
IO630-4RO	--
IO630-4TO	--
IO630-2AI-TCR	--
IO630-2AI-VI	--
IO630-2AO	--



Converters



AC-USB-RS232-01



AC-USB-RS485-03



AC-USB-RS485-02

AC-USB-RS485-02-3M



AC-S2E-01

FEATURES	<ul style="list-style-type: none"> <li>Port Powered</li> <li>Communication status available as LED Indication</li> </ul>			<ul style="list-style-type: none"> <li>Web Configuration Telnet Protocol</li> </ul>
DISPLAY	LED indication for Tx & Rx			LED indication for Power ON, Tx and Rx, & Ethernet Communication
SERIAL INTERFACE	RS232 MODBUS RTU Protocol		RS485 MODBUS RTU Protocol	
CONNECTOR	DB9	RJ25 (6Pin)	2 open wires	
USB INTERFACE	USB 2.0 Compliance			NA
CONNECTOR	USB Type A			NA
ETHERNET INTERFACE	NA			Telnet Protocol
CONNECTOR	NA			RJ45 (8 Pin)
TRANSMISSION SPEED	2400 to 115000 bps			RS485 : 300 - 115000 bps Ethernet : 10/100 Mbps
CABLE LENGTH	1 Meter		3 Meter	
POWER CONSUMPTION	75mA @ 5V			0.5 W
SUPPLY VOLTAGE	Port powered			12 to 30V DC

ACCESSORIES

Communication Adapters & cables



AC-IOEXP-03



AC-IOEXP-01



ACH-002



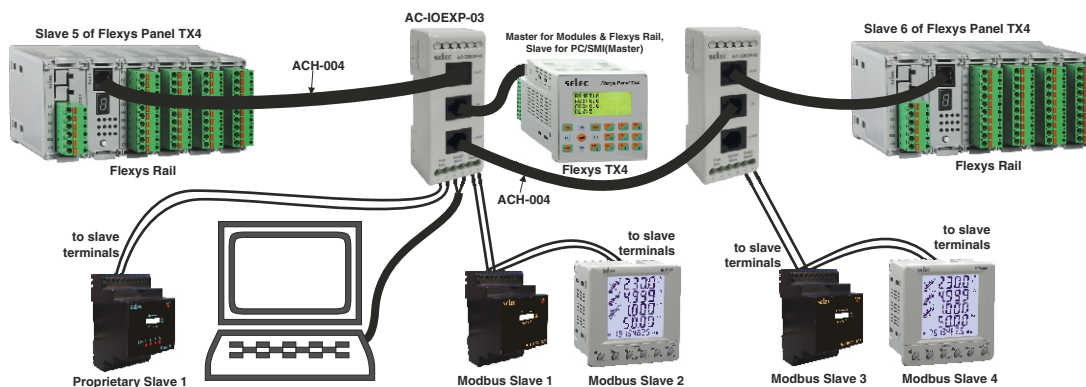
ACH-004



ACH-003

DESCRIPTION	Adapter for directing RJ25 to open terminal and also for network looping	Expansion adaptor for MM303X PLCs	DB9 to RJ25 cable	Both Side RJ25 type Connector	Both Side RJ45 Type Connector
-------------	--	-----------------------------------	-------------------	-------------------------------	-------------------------------

Ordering Information



PRODUCT CODE	CERTIFICATION
AC-USB-RS232-01	--
AC-USB-RS485-02	--
AC-USB-RS485-02-3M	--
AC-USB-RS485-03	--
AC-S2E-01	--
AC-IOEXP-03	--
AC-IOEXP-01	--
AC-IOEXP-02	--
ACH-004	--
ACH-002	--
ACH-003	--

Relay Modules



RLYMD-1-S4-1C0-24VDC



RLYMD-2-S8-1C0-24VDC



RLYMD-1-S4-2C0-24VDC



RLYMD-2-S8-2C0-24VDC



ERLYMD-2-1-S8-1C0-24V

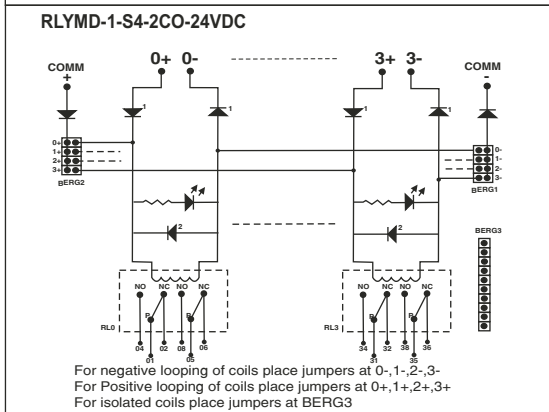
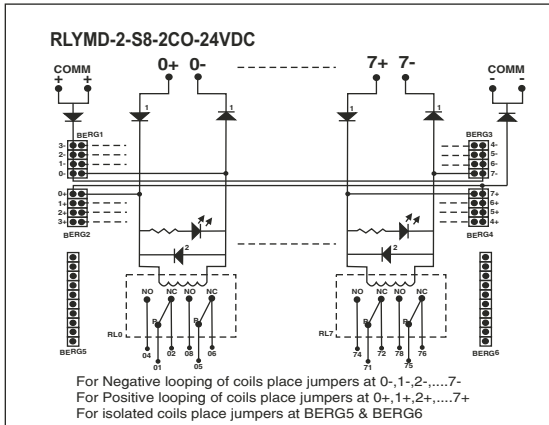
FEATURES

- LED and Freewheeling Diode Across Coils
- Reverse Polarity Protection
- Jumpers for Coil Looping
- Pluggable Relays

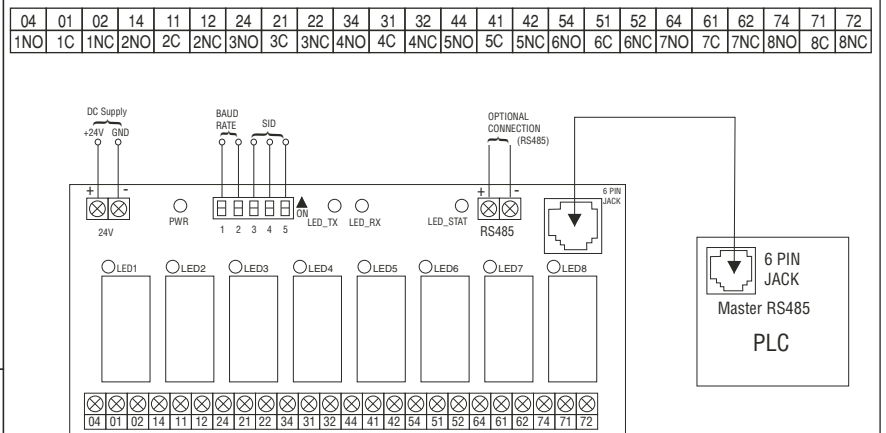
- Selectable Baudrate and Slave ID
- Pluggable Relays

CONTACTS	1 C/O		2 C/O		1 C/O
NO. OF CHANNELS	4	8	4	8	8
CONTACT RATING	10A @ 277V AC / 30V DC (Resistive)				
NOMINAL VOLTAGE	24V DC				
MUST VOLTAGE	18V DC				
MAX VOLTAGE	33V DC				
OPERATE TIME	15 mSec				
RESET SETTIME	5 mSec				
COIL TO CONTACT DIELECTRIC STRENGTH	5000V AC for 1 min				
OPEN CONTACT DIELECTRIC STRENGTH	1000V AC for 1 min				
COMMUNICATION PROTOCOL	NA			RS485 MODBUS RTU	
STATUS DISPLAY	LED indication for Relay ON Status			LED Indication for Relay ON Status, Power ON & Communication Status	
SUPPLY VOLTAGE	NA			24V DC	

Terminal Diagram



ERLYMD-2-1-S4-1C0-24V



Ordering Information

PRODUCT CODE	CERTIFICATION
RLYMD-1-S4-1C0-24VDC	--
RLYMD-1-S4-2C0-24VDC	--
RLYMD-2-S8-1C0-24VDC	--
RLYMD-2-S8-2C0-24VDC	--
ERLYMD-2-1-S8-1C0-24V	--

# Company Overview...



Delhi Office



Our facilities at Navi Mumbai, India...

## Manufacturing:

### Electronic Manufacturing SMT Manufacturing Plant (5 lines)



### Electronic Manufacturing Assembly and Testing

### Plastic Manufacturing Injection Moulding & Printing



### Other Facilities :

Government Approved Design Center, Laboratory For Certification and EMC, Tool Room

Subsidiaries : **Selec GmbH** | **Selec USA**

### Head Office :

**Selec Controls Pvt. Ltd.** EL-27/1, Electronic Zone, TTC Industrial Area, MIDC, Mahape, Navi Mumbai 400710, INDIA.

Tel.: +91-22-4141 8468 / 452. Fax: +91-22-41418 408. Email: sales@selec.com | [www.selec.com](http://www.selec.com)

**Selec USA :** [www.selecusa.com](http://www.selecusa.com)

**Selec GmbH :** [www.selec-europe.com](http://www.selec-europe.com)